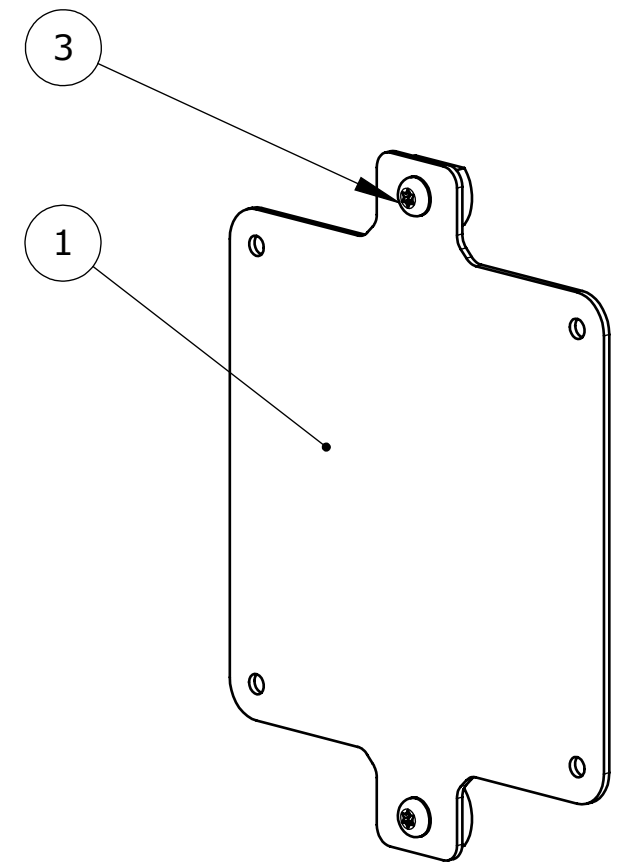
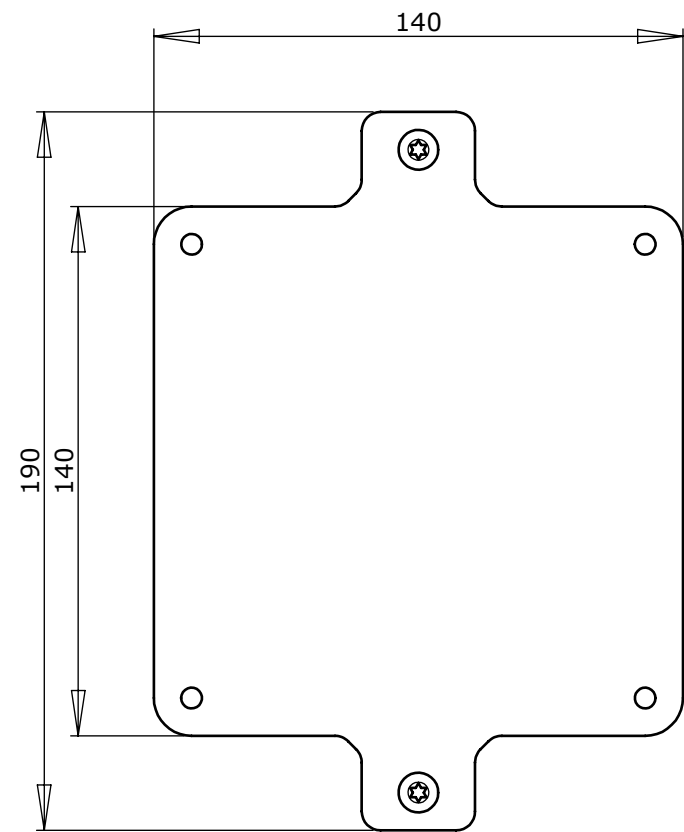
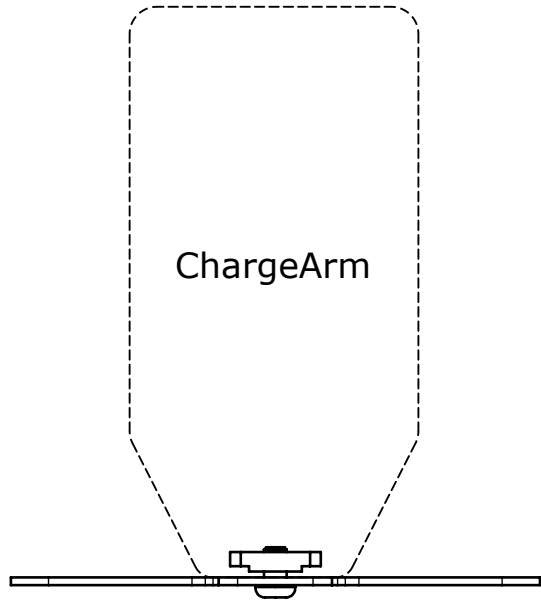

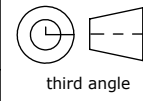


BOM Table				
#	Qty.	Drawing #	Rev.	Description
1	1	1577.561	0	Adapter Bracket Universal Back Mount
2	2	1577.926	0	Schuifmoer M6 [EAN Code 8712978998006]
3	2	1577.904	0	Hexagon Button Head Screw ISO 7380-M6x10-TX6-A2



WARNING: Adapter plate should be earthed

description: Universal ChargeBox Plate Back		material: -		technical specifications: - tolerances according to: . - unless otherwise stated - debur and break sharp edges	
project: -		treatment: -			
client: -		finish: -			
	all dimensions in:	size:	projection:	name:	date:
	mm	A3		drawn:	20220214
	scale: 1:2	sheet 1 of 1	third angle	checked:	-
	status: For information only			approved:	-
				drawing #:	revision:
				1577.560	0