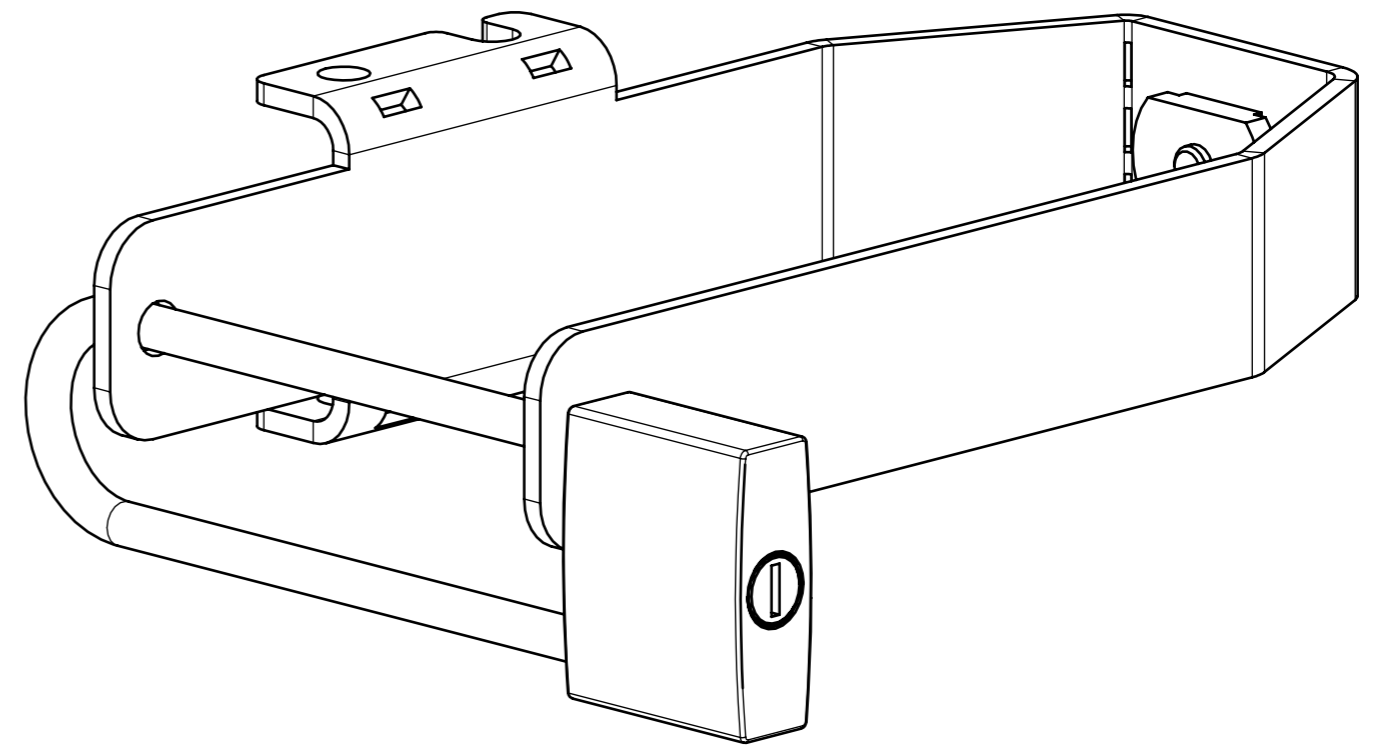
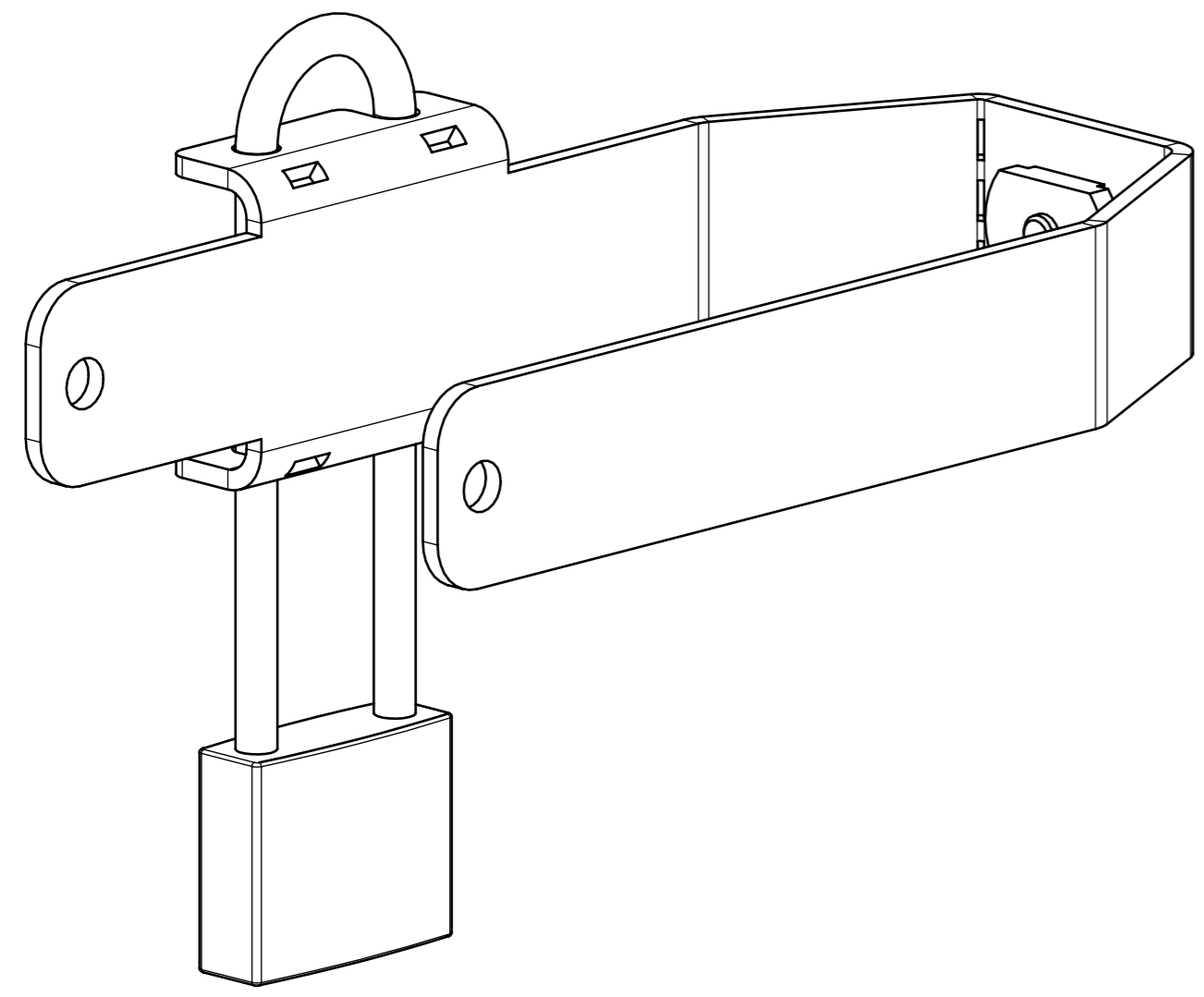




### BOM Table

#	Qty.	Drawing #	Rev.	Description	Material
1	1	1577.601	0	ChargeArm Lock Bracket	AISI 304
2	1	1577.980	0	M-loy Hangslot 40 x 100 mm [AN400BH100-VS] [8716656000395]	-
3	1	1577.958	0	Hex Socket Countersunk Head Screw DIN 7991-M6x12-TX30-A2	A2
4	1	1577.926	0	Schuifmoer M6 [EAN Code 8712978998006]	Steel Zinc Plated



description: <b>ChargeArm Lock Basic Assy</b>		material: -		technical specifications: - tolerances according to: . - unless otherwise stated - debur and break sharp edges	
project: -		treatment: -			
client: -		finish: -			
		all dimensions in:	size:	projection:	
		mm	A3		name: CBra
scale: 1:1		sheet 1 of 1		date: 20220210	
status: <b>For information only</b>		drawing #: <b>1577.600</b>		revision: <b>0</b>	