

1. CE Declaration of conformity

ChargeArm bv Zijlweg 76 2013DK Haarlem The Netherlands

+31235513600 info@chargearm.com

declare under our sole responsibility that the following product

Equipment: ChargeArm Brand name: ChargeArm Model/type: CA01

is in conformity with the

Directive 2006/42/EG of the European parliament and the council of 17 May 2006 on machinery, and amending Directive 95/16/EC.

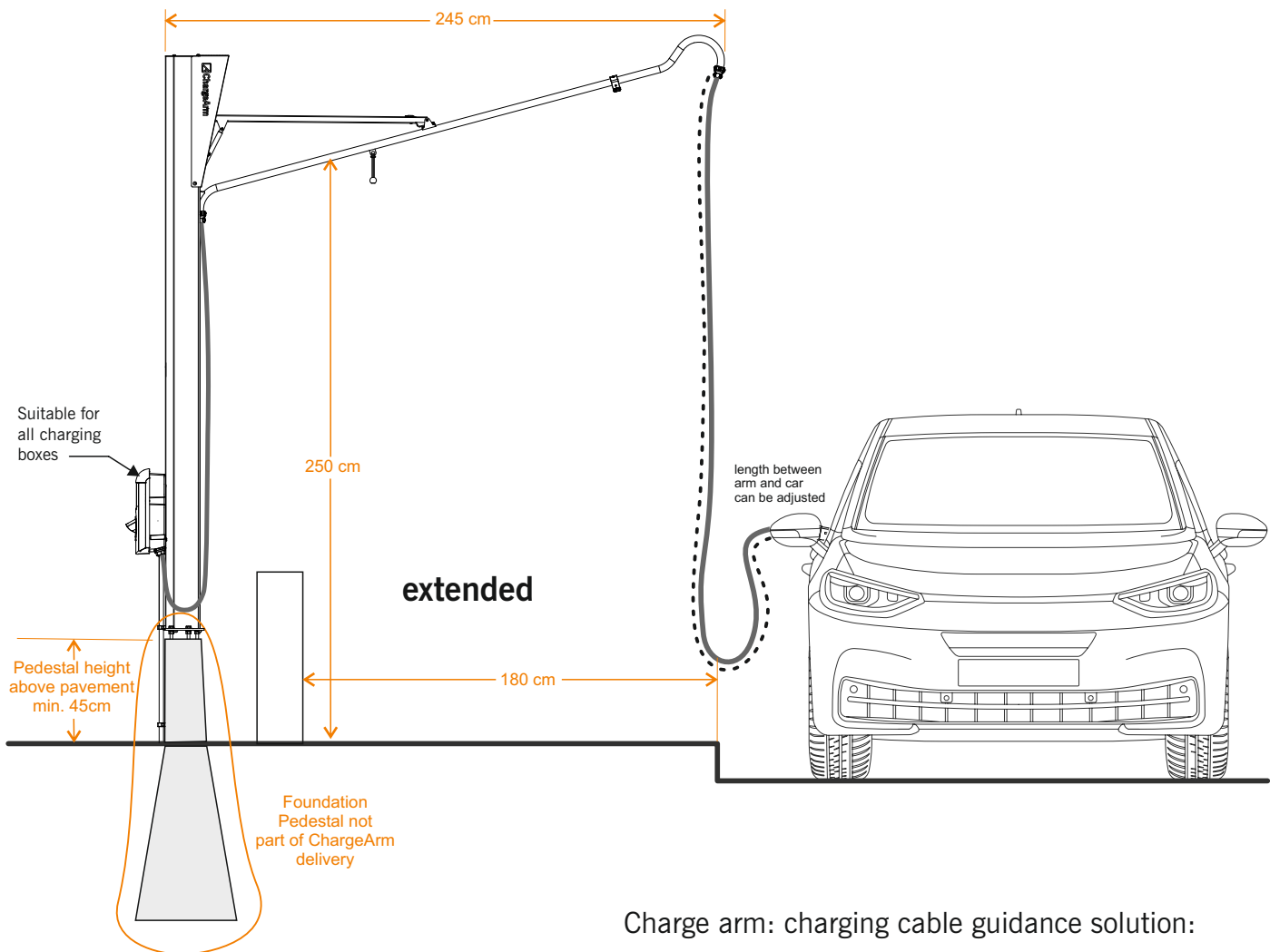
Haarlem, 21 February 2022

Manufacturer representative:
ChargeArm bv



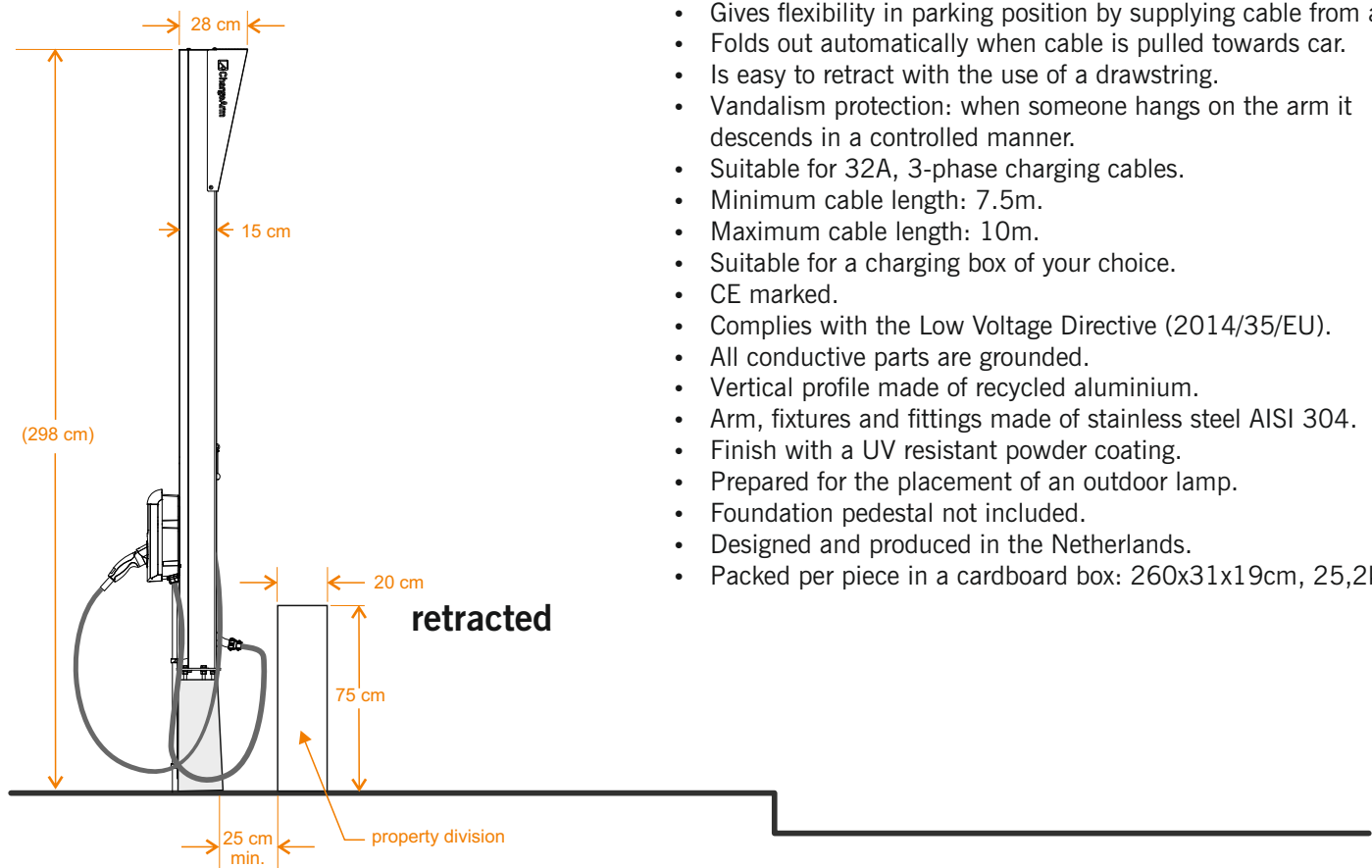
Camille van den Brande

Specifications for the freestanding ChargeArm with foundation pedestal

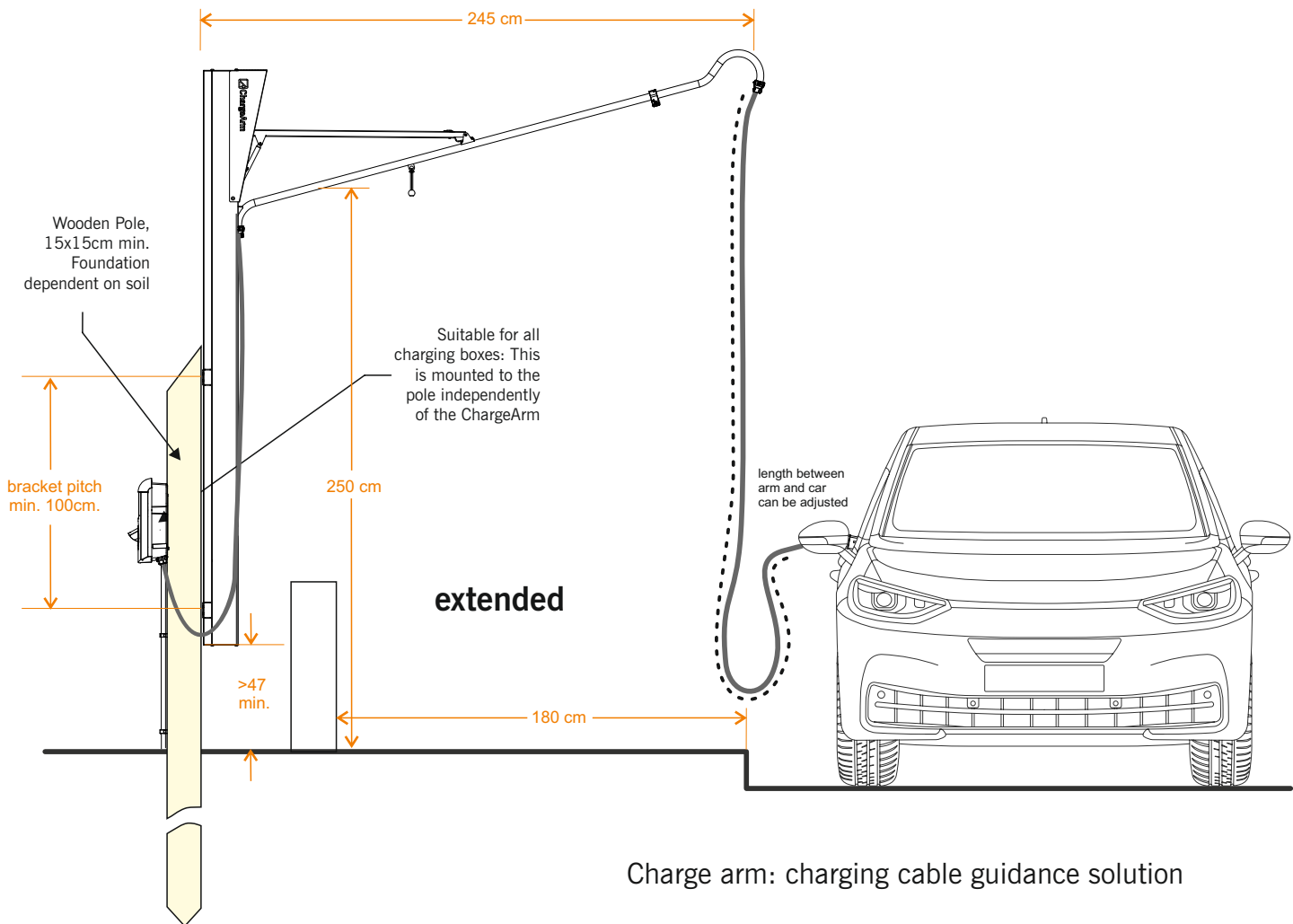


Charge arm: charging cable guidance solution:

- Suitable for most pavements adjacent to where cars are parked.
- Gives flexibility in parking position by supplying cable from above.
- Folds out automatically when cable is pulled towards car.
- Is easy to retract with the use of a drawstring.
- Vandalism protection: when someone hangs on the arm it descends in a controlled manner.
- Suitable for 32A, 3-phase charging cables.
- Minimum cable length: 7.5m.
- Maximum cable length: 10m.
- Suitable for a charging box of your choice.
- CE marked.
- Complies with the Low Voltage Directive (2014/35/EU).
- All conductive parts are grounded.
- Vertical profile made of recycled aluminium.
- Arm, fixtures and fittings made of stainless steel AISI 304.
- Finish with a UV resistant powder coating.
- Prepared for the placement of an outdoor lamp.
- Foundation pedestal not included.
- Designed and produced in the Netherlands.
- Packed per piece in a cardboard box: 260x31x19cm, 25,2kg.

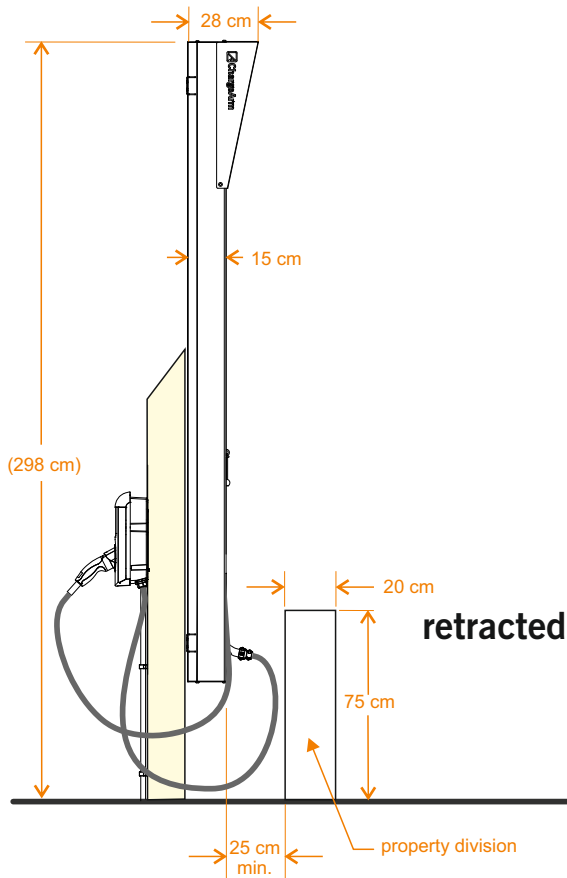


Specifications for the freestanding ChargeArm mounted on a pole

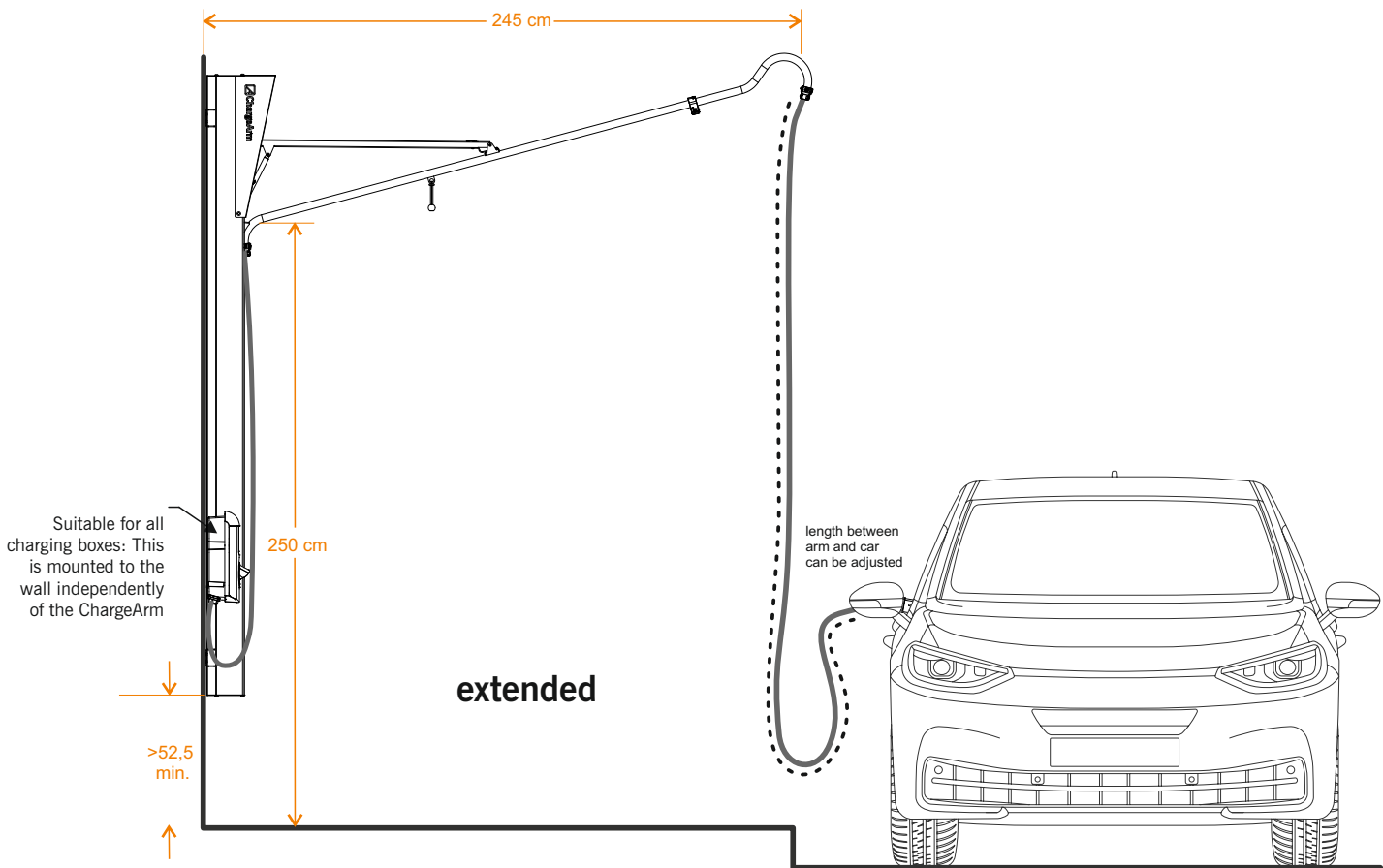


Charge arm: charging cable guidance solution

- Suitable for most pavements adjacent to where cars are parked.
- Gives flexibility in parking position by supplying cable from above.
- Folds out automatically when the cable is pulled towards the car.
- Is easy to retract with the use of a drawstring.
- Vandalism protection: when someone hangs on the arm it descends in a controlled manner.
- Suitable for 32A, 3-phase charging cables.
- Minimum cable length: 7.5m.
- Maximum cable length: 10m.
- Suitable for a charging box of your choice.
- CE marked.
- Complies with the Low Voltage Directive (2014/35/EU).
- All conductive parts are grounded.
- Vertical profile made of recycled aluminium.
- Arm, fixtures and fittings made of stainless steel AISI 304.
- Finish with a UV resistant powder coating
- Prepared for the placement of an outdoor lamp.
- Mounting made possible using only: 4X 8mm stainless steel woodscrews with hexagonal head.
- Wooden pole not included.
- Designed and produced in the Netherlands.
- Packed per piece in a cardboard box: 260x31x19cm, 25,2kg.



Specifications for the wall mounted ChargeArm



Charge arm: charging cable guidance solution

- Suitable for most pavements adjacent to where cars are parked.
- Gives flexibility in parking position by supplying cable from above.
- Folds out automatically when the cable is pulled towards the car.
- Is easy to retract with the use of a drawstring.
- Vandalism protection: when someone hangs on the arm it descends in a controlled manner.
- Suitable for 32A, 3-phase charging cables.
- Minimum cable length: 7.5m.
- Maximum cable length: 10m.
- Suitable for a charging box of your choice.
- CE marked.
- Complies with the Low Voltage Directive (2014/35/EU).
- All conductive parts are grounded.
- Vertical profile made of recycled aluminium.
- Arm, fixtures and fittings made of stainless steel AISI 304.
- Finish with a UV resistant powder coating
- Prepared for the placement of an outdoor lamp.
- Mounting made possible using only: 4X M8 Stainless Steel bolts and wall plugs.
- Designed and produced in the Netherlands.
- Packed per piece in a cardboard box: 260x31x19cm, 25,2kg.

